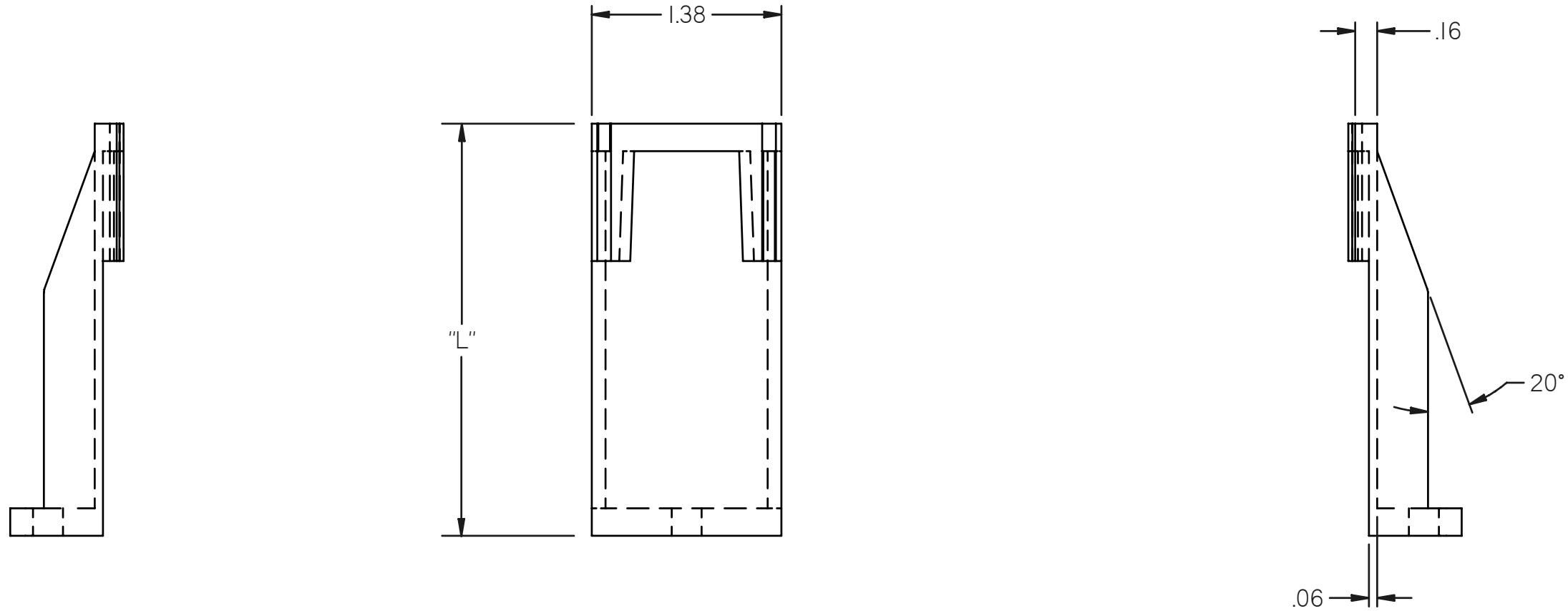
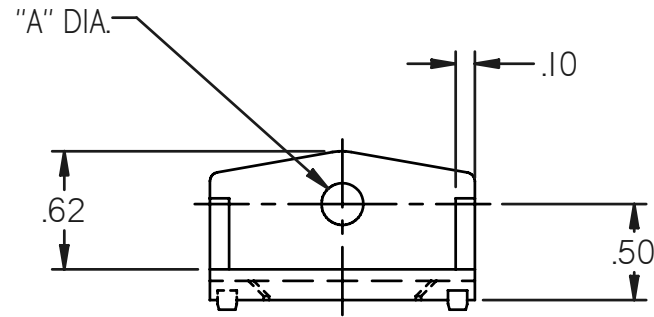


MATERIAL: NYLON 6/6 13% FILLED, BLACK
FARGO #CP-N66BLKHR



solid edge #04014-99-00

REV	REVISION DATE	RELEASE NUMBER	DESCRIPTION	DRAWN BY	CHECKED BY	APPROVED BY
			NOT RELEASED			
00	9-12-05	4031	REDRAWN AND REVISED, LEG IS NARROW, ADDED 2" LG. LEG	SJB	JCB	REF

7265-99-03	059239	.220	2.00"	PT-059239
7265-99-02	059210	.310	2.50"	PT-059210
7265-99-01	059114	.220	3.00"	PT-059114
7265-99-00	059113	.220	2.50"	PT-059113
MFG NO (REF).	DILL NO. (REF)	"A" DIM.	"L" DISTANCE	FARGO NO.

FILE #: 050908-2	SHEET 1 OF 1	FARGO ASSEMBLY OF PA P.O. BOX 550 NORRISTOWN, PA 19404 PHONE: 610-272-6850 FAX: 610-272-6858	OUR COMPANY GOALS 1. QUALITY 2. DELIVERY 3. FAIR PRICE 4. GOLDEN RULE
UNLESS STATED OTHERWISE; DIMENSIONS ARE IN INCHES, AND TOLERANCE ARE:	THIRD ANGLE PROJECTION	ELECTRICAL SYSTEMS ASSEMBLY AND DESIGN	
.X +/- .030	DRAWN SJB DATE 9-05	TITLE: MOUNTING LEG- 3", 2.50" & 2.0" NARROW PROFILE, 1.38 WIDE	
.XX +/- .020	CHECKED JCB DATE 9-05	DRAWING NUMBER C7265-99-03	
.XXX +/- .010	APPROVED REF DATE 9-05	REVISION 00	
FRACTIONAL +/- 1/64	SCALE: FULL	THIS DOCUMENT CONTAINS PROPRIETARY INFORMATION AND IS NOT TO BE USED IN ANY WAY DETRIMENTAL TO THE INTEREST OF FARGO ASSEMBLY OF PA, INC.	
ANGULAR +/- 30 MIN			