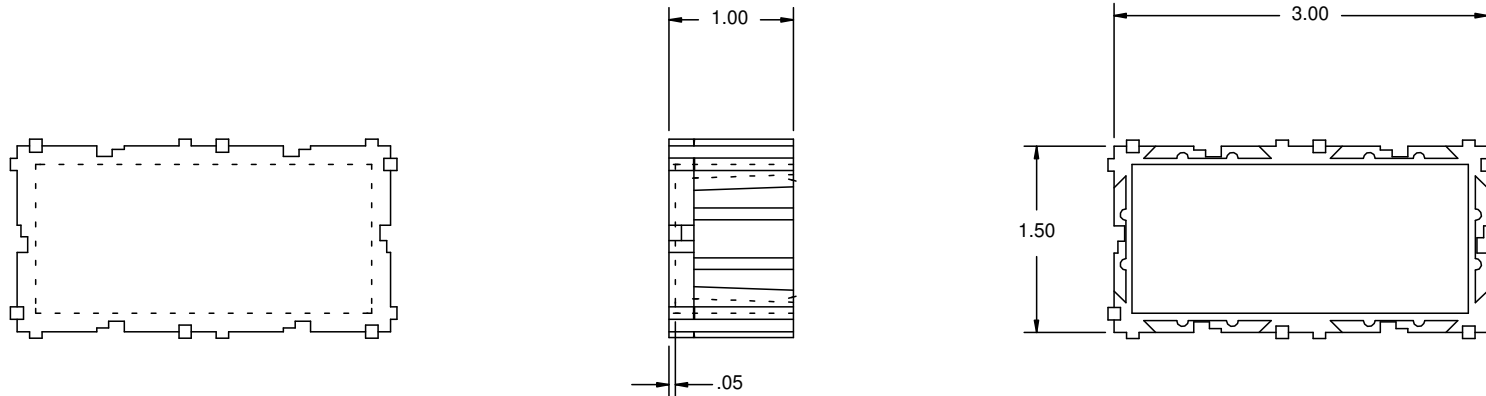


REV	REVISION DATE	RELEASE NUMBER	DESCRIPTION	DRAWN BY	CHECKED BY	APPROVED BY
00	7-8-02	2931	RELEASED FOR PRODUCTION	SJB	JCB	REF
01	5-05	3957	REMOVED GREY MATERIAL AND PART #PT-059027 BK	SJB	JCB	REF



FARGO NO. PT-059220

NOTES:

1- MAT'L.- NYLON 6-6 GLASS FILLED
FARGO NO. CP-N66BLKHR

FILE # 020708-2	SHEET 1 OF 1	FARGO ASSEMBLY OF PA P.O. BOX 550 NORRISTOWN, PA 19404 PHONE: 610-272-6850 FAX: 610-272-6858	OUR COMPANY GOALS 1. QUALITY 2. DELIVERY 3. FAIR PRICE 4. GOLDEN RULE
UNLESS STATED OTHERWISE: DIMENSIONS ARE IN INCHES. AND TOLERANCE ARE: .X +/- .020	THIRD ANGLE PROJECTION 	ELECTRICAL SYSTEMS ASSEMBLY AND DESIGN	
.XX +/- .015	DRAWN DATE SJB 7-8-02	TITLE: 1-1/2" X 3" BLANK MODULE COMPONENT	
.XXX +/- .005	CHECKED DATE JCB 7-02	DRAWING NUMBER C7163-99-01	REVISION 01
FRACTIONAL +/- 1/64	APPROVED DATE REF 7-02		
ANGULAR +/- 30 MIN	SCALE: FULL		
THIS DOCUMENT CONTAINS PROPRIETARY INFORMATION AND IS NOT TO BE USED IN ANY WAY DETRIMENTAL TO THE INTEREST OF FARGO ASSEMBLY OF PA, INC.			