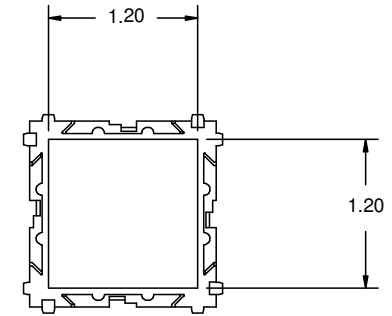
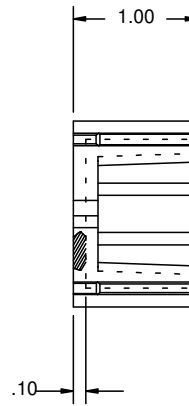
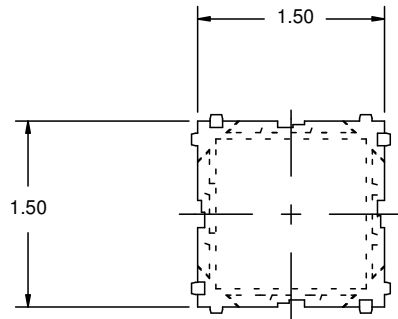


REV	REVISION DATE	RELEASE NUMBER	DESCRIPTION	DRAWN BY	CHECKED BY	APPROVED BY
00	10-7-99	2134	REDRAWN ON CADD6 AND RERELEASED	SJB	JCB	REF
01	2-03	3149	UPDATED MATERIAL NO.	SJB	JCB	REF
02	5-05	3957	REMOVED GREY MATERIAL AND PART #PT-059215 BK	SJB	JCB	REF



FARGO #PT-059215

NOTES:

1-MAT'L.- NYLON 66, GLASS FILLED
FARGO #CP-N66BLKHR

FILE # 991007-5	SHEET 1 OF 1	FARGO ASSEMBLY OF PA P.O. BOX 550 NORRISTOWN, PA 19404 PHONE: 610-272-6850 FAX: 610-272-6858		OUR COMPANY GOALS 1. QUALITY 2. DELIVERY 3. FAIR PRICE 4. GOLDEN RULE
UNLESS STATED OTHERWISE: DIMENSIONS ARE IN INCHES. AND TOLERANCE ARE: .X +/- .025	THIRD ANGLE PROJECTION 	ELECTRICAL SYSTEMS ASSEMBLY AND DESIGN		
.XX +/- .015	DRAWN DATE JGL 6-92	TITLE: 1-1/2 X 1-1/2 BLANK DILL BLOX		
.XXX +/- .005	CHECKED DATE	DRAWING NUMBER C7266-99-04		
FRACTIONAL +/- 1/64	APPROVED DATE	REVISION 02		
ANGULAR +/- 30 MIN	SCALE: FULL	THIS DOCUMENT CONTAINS PROPRIETARY INFORMATION AND IS NOT TO BE USED IN ANY WAY DETRIMENTAL TO THE INTEREST OF FARGO ASSEMBLY OF PA, INC.		