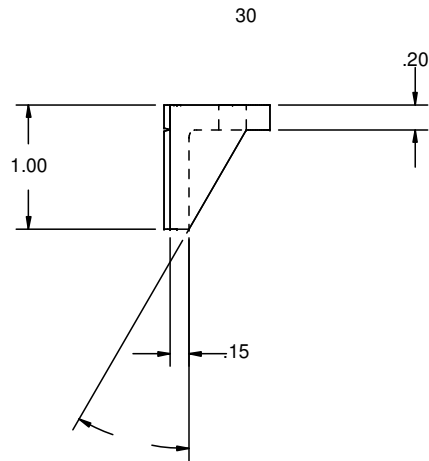
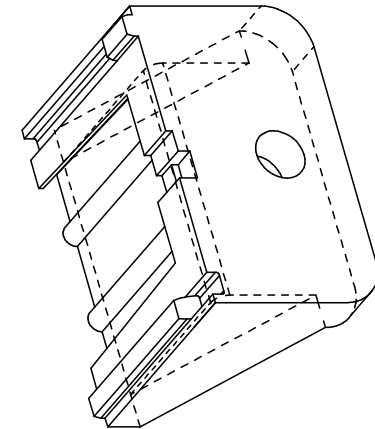
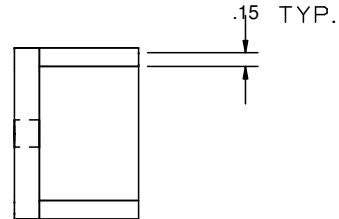
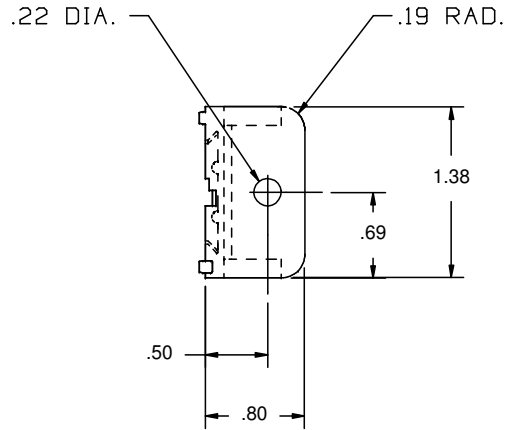


REV	REVISION DATE	RELEASE NUMBER	DESCRIPTION	DRAWN BY	CHECKED BY	APPROVED BY
00	9-29-99	2127	REDRAWN ON CADD6 AND RELEASED	SJB	JCB	REF
01	2-03	3149	UPDATED MATERIAL NO.	SJB	JCB	REF
02	5-05	3957	REMOVED GREY MATERIAL AND PART #PT-059214 BK	SJB	JCB	REF



FARGO PART #PT-059214

NOTES:
 1-MAT'L.- NYLON 66. GLASS FILLED
 FARGO #CP-N66BLKHR

FILE # 990929-2	SHEET 1 OF 1	FARGO ASSEMBLY OF PA P.O. BOX 550 NORRISTOWN, PA 19404 PHONE: 610-272-6850 FAX: 610-272-6858	OUR COMPANY GOALS 1. QUALITY 2. DELIVERY 3. FAIR PRICE 4. GOLDEN RULE
UNLESS STATED OTHERWISE: DIMENSIONS ARE IN INCHES. AND TOLERANCE ARE: .X +/- .025	THIRD ANGLE PROJECTION 	ELECTRICAL SYSTEMS ASSEMBLY AND DESIGN	
.XX +/- .015	DRAWN DATE SJB 9-29-99	TITLE: FLUSH MOUNT BRACKET DILL BLOX	
.XXX +/- .005	CHECKED DATE JCB 9-99	DRAWING NUMBER C7300-99-00	REVISION 02
FRACTIONAL +/- 1/64	APPROVED DATE REF 9-99		
ANGULAR +/- 30 MIN	SCALE: FULL		
THIS DOCUMENT CONTAINS PROPRIETARY INFORMATION AND IS NOT TO BE USED IN ANY WAY DETRIMENTAL TO THE INTEREST OF FARGO ASSEMBLY OF PA, INC.			