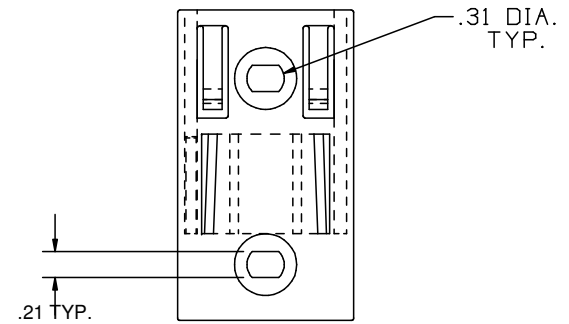
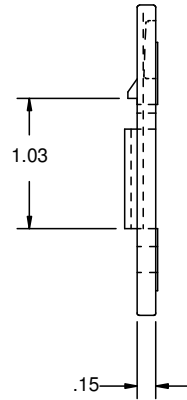
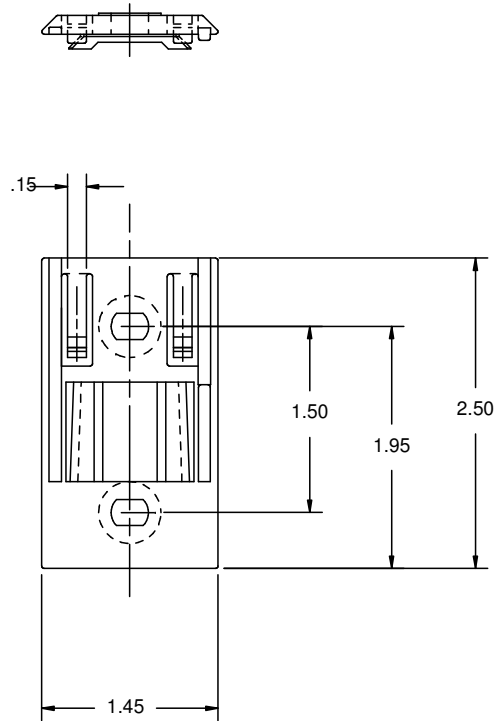


REV	REVISION DATE	RELEASE NUMBER	DESCRIPTION	DRAWN BY	CHECKED BY	APPROVED BY
00	1-26-00	2218	REDRAWN ON CADD6	SJB	JCB	REF
01	2-03	3149	UPDATED MATERIAL NO.	SJB	JCB	REF
02	5-05	3957	REMOVED GREY MATERIAL AND PART #PT-059205 BK	SJB	JCB	REF



FARGO NO. PT-059205

NOTES:

1-MAT'L.- NYLON 66, GLASS FILLED
FARGO #CP-N66BLKHR

FILE # 000126-1	SHEET 1 OF 1	FARGO ASSEMBLY OF PA P.O. BOX 550 NORRISTOWN, PA 19404 PHONE: 610-272-6850 FAX: 610-272-6858	OUR COMPANY GOALS 1. QUALITY 2. DELIVERY 3. FAIR PRICE 4. GOLDEN RULE
UNLESS STATED OTHERWISE: DIMENSIONS ARE IN INCHES. AND TOLERANCE ARE: .X +/- .025 .XX +/- .015 .XXX +/- .005	THIRD ANGLE PROJECTION 	ELECTRICAL SYSTEMS ASSEMBLY AND DESIGN	
FRACTIONAL +/- 1/64 ANGULAR +/- 30 MIN	DRAWN DATE JGL 10-91 CHECKED DATE APPROVED DATE SCALE: FULL	TITLE: MOUNTING BRACKET DILL BOX DRAWING NUMBER	REVISION
THIS DOCUMENT CONTAINS PROPRIETARY INFORMATION AND IS NOT TO BE USED IN ANY WAY DETRIMENTAL TO THE INTEREST OF FARGO ASSEMBLY OF PA, INC.		C7293-99-00	02