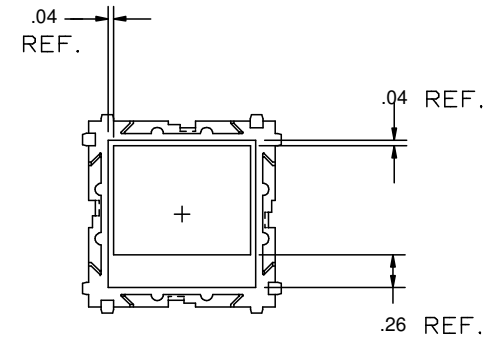
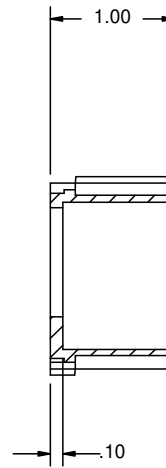
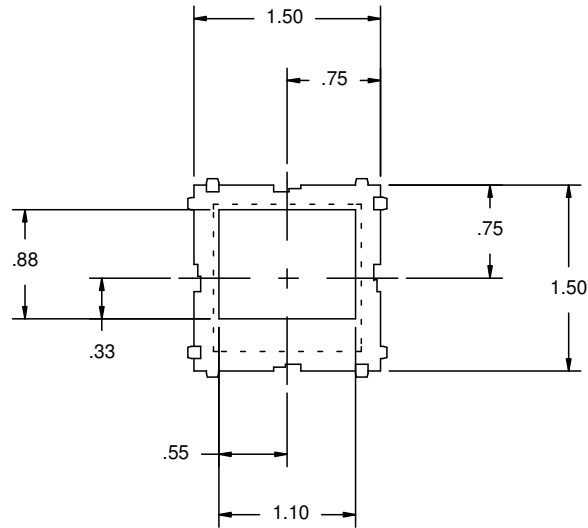


REV	REVISION DATE	RELEASE NUMBER	DESCRIPTION	DRAWN BY	CHECKED BY	APPROVED BY
00	10-7-99	2134	REDRAWN ON CADD6 AND RERELEASED	SJB	JCB	REF
01	2-03	3149	UPDATED MATERIAL NO.	SJB	JCB	REF
02	5-05	3957	MATERIAL WAS GREY	SJB	JCB	REF



NOTES:

- 1- MAT'L.- NYLON 6-6, GLASS FILLED
FARGO #CP-N66BLKHR
- 2- MINIMUM RETENTION FOR PUSH BUTTON
SWITCH 70 LBS.

FARGO #PT-059187

FILE # 991007-1	SHEET 1 OF 1	FARGO ASSEMBLY OF PA P.O. BOX 550 NORRISTOWN, PA 19404 PHONE: 610-272-6850 FAX: 610-272-6858	OUR COMPANY GOALS 1. QUALITY 2. DELIVERY 3. FAIR PRICE 4. GOLDEN RULE
UNLESS STATED OTHERWISE, DIMENSIONS ARE IN INCHES, AND TOLERANCE ARE: .X +/- .020	THIRD ANGLE PROJECTION 	ELECTRICAL SYSTEMS ASSEMBLY AND DESIGN	
.XX +/- .010	DRAWN DATE EWP 4-94	TITLE: DIAGNOSTIC SWITCH DILL BLOX	
.XXX +/- .005	CHECKED DATE	DRAWING NUMBER C7266-99-01	
FRACTIONAL +/- 1/64	APPROVED DATE	REVISION 02	
ANGULAR +/- 30 MIN	SCALE: FULL	THIS DOCUMENT CONTAINS PROPRIETARY INFORMATION AND IS NOT TO BE USED IN ANY WAY DETRIMENTAL TO THE INTEREST OF FARGO ASSEMBLY OF PA, INC.	