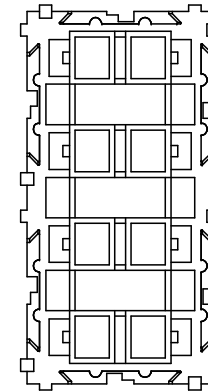
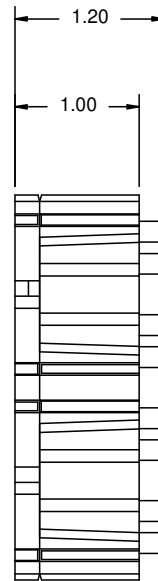
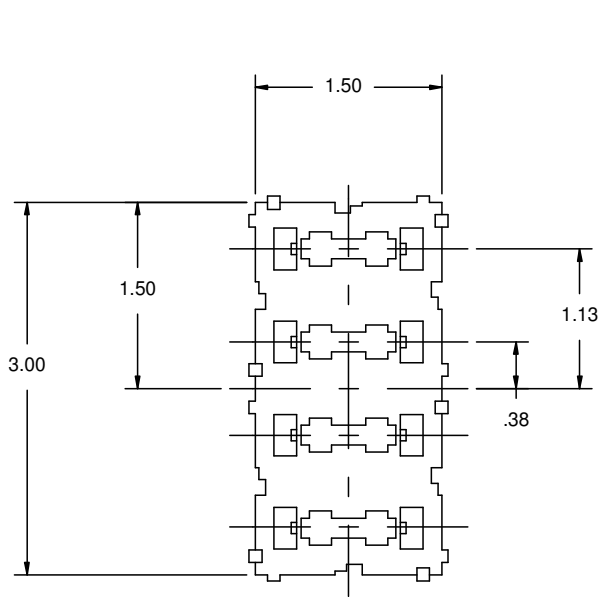


REV	REVISION DATE	RELEASE NUMBER	DESCRIPTION	DRAWN BY	CHECKED BY	APPROVED BY
00	5-19-00	2305	RELEASED/PRODUCTION	SJB	JCB	REF
01	2-03	3149	UPDATED MATERIAL NO.	SJB	JCB	REF
02	5-05	3957	REMOVED GREY MATERIAL AND PART #PT-059112	SJB	JCB	REF



FARGO NO. PT-059112

NOTES:

- 1- MAT'L.- NYLON 13% GLASS FILLED  
FARGO NUMBER #CP-N66BLKHR
- 2- ACCEPTS TERMINAL CODE 069 AUTO FUSE OR  
162 AUTO FUSE WITH SPRING CLIP.
- 3- ACCEPT SECONDARY LOCKS:  
#059099, FARGO #DB-LKAF1  
#059100, FARGO #DB-LKAF4  
#059115, FARGO #DB-LKAF2

FILE # 000523-3	SHEET 1 OF 1	FARGO ASSEMBLY OF PA P.O. BOX 550 NORRISTOWN, PA 19404 PHONE: 610-272-6850 FAX: 610-272-6858	OUR COMPANY GOALS 1. QUALITY 2. DELIVERY 3. FAIR PRICE 4. GOLDEN RULE
UNLESS STATED OTHERWISE: DIMENSIONS ARE IN INCHES. AND TOLERANCE ARE: .X +/- .025	THIRD ANGLE PROJECTION 	ELECTRICAL SYSTEMS ASSEMBLY AND DESIGN	
.XX +/- .015	DRAWN SJB DATE 5-19-00	TITLE: DOUBLE AUTO FUSE MODULE 1-1/2" X 3"	
.XXX +/- .005	CHECKED JCB DATE 5-00	DRAWING NUMBER C7164-99-01	REVISION 02
FRACTIONAL +/- 1/64	APPROVED REF DATE 5-00		
ANGULAR +/- 30 MIN	SCALE: FULL		
THIS DOCUMENT CONTAINS PROPRIETARY INFORMATION AND IS NOT TO BE USED IN ANY WAY DETRIMENTAL TO THE INTEREST OF FARGO ASSEMBLY OF PA, INC.			