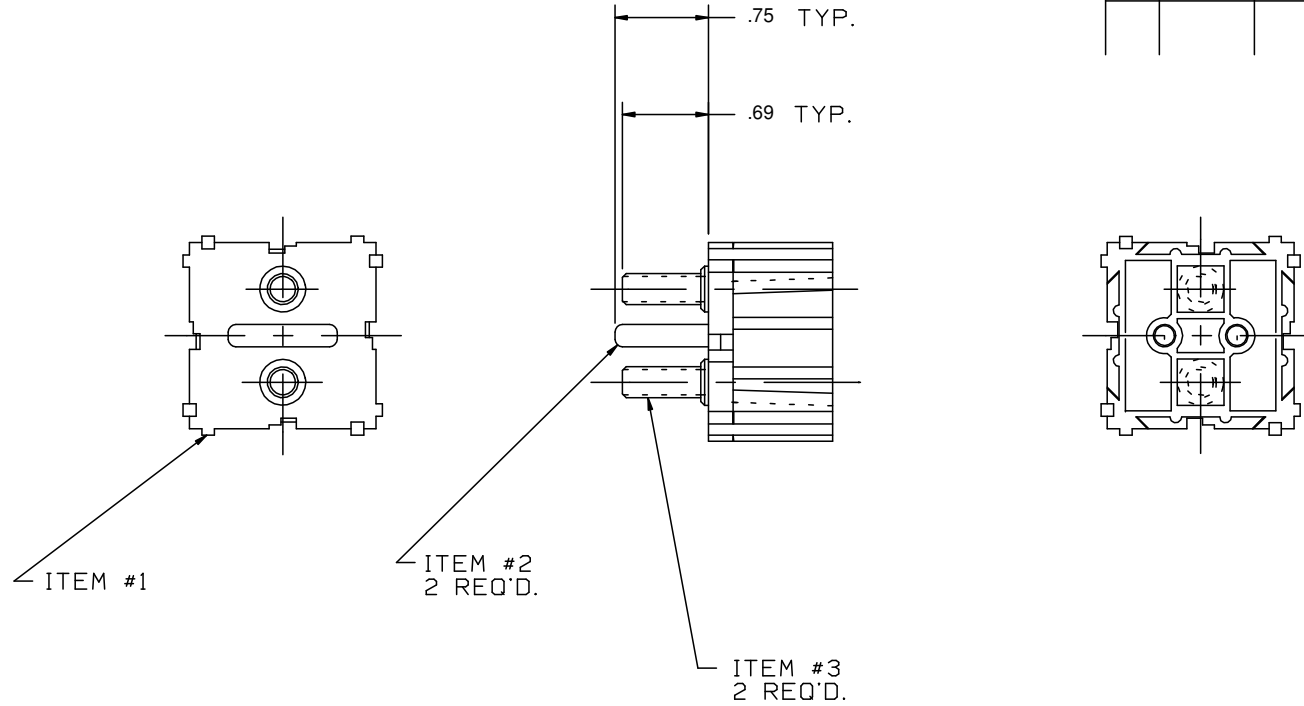


REV	REVISION DATE	RELEASE NUMBER	DESCRIPTION	DRAWN BY	CHECKED BY	APPROVED BY
00	8-6-98	1757	REDRAWN ON CADD6. ADDED ASSY.#100764 BK REVISED CHART	SJB	JCB	REF
01	5-05	3957	REMOVED PART #100764 BK	SJB	JCB	REF



100764	059204	059206	074231 #M6 X 1.0 TH'D.
ASSEMBLY NO.	DILL BLOX NO. ITEM #1	ISOLATION BARRIER ITEM #2	STUD BLOCK POST ITEM #3

THIS COMPONENT INSPECTION  
DRAWING (CID) IS USED FOR  
BOTH GRAY AND BLACK PARTS.

FILE # 980806-2	SHEET 1 OF 1	FARGO ASSEMBLY OF PA P.O. BOX 550 NORRISTOWN, PA 19404 PHONE: 610-272-6850 FAX: 610-272-6858	OUR COMPANY GOALS 1. QUALITY 2. DELIVERY 3. FAIR PRICE 4. GOLDEN RULE
UNLESS STATED OTHERWISE: DIMENSIONS ARE IN INCHES. AND TOLERANCE ARE: .X +/-	THIRD ANGLE PROJECTION 	ELECTRICAL SYSTEMS ASSEMBLY AND DESIGN	TITLE: STUD POST DILL BLOX ASSEMBLY
.XX +/- .030 .XXX +/- .015 FRACTIONAL +/- 1/64 ANGULAR +/- 30 MIN	DRAWN DATE SJB 8-6-98 CHECKED DATE JCB XX APPROVED DATE REF XX SCALE: FULL	DRAWING NUMBER C7295-99-06	REVISION 01
THIS DOCUMENT CONTAINS PROPRIETARY INFORMATION AND IS NOT TO BE USED IN ANY WAY DETRIMENTAL TO THE INTEREST OF FARGO ASSEMBLY OF PA, INC.			