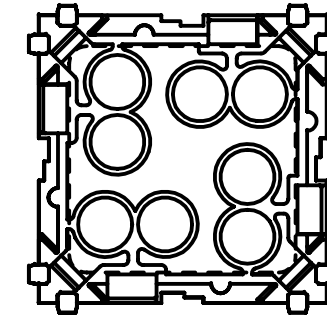
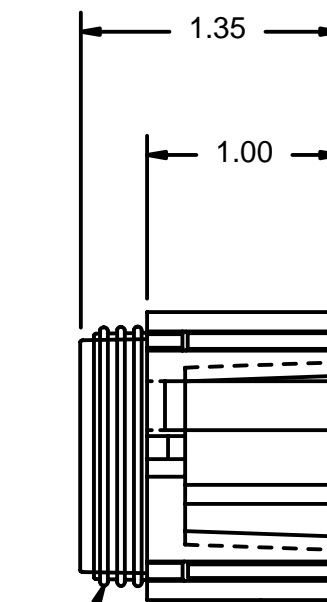
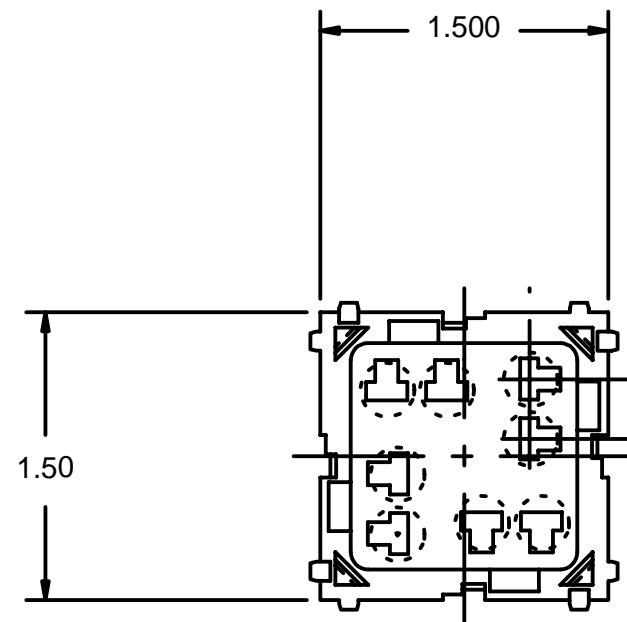


REV	REVISION DATE	RELEASE NUMBER	DESCRIPTION	DRAWN BY	CHECKED BY	APPROVED BY
00	11-8-99	2165	REDRAWN ON CADD6 ADDED FARGO NO'S.	SJB	JCB	REF
01	2-03	3149	UPDATED MATERIAL NO.	SJB	JCB	REF
02	11-17-03	3413	TOL. .030 WAS .025; .020 WAS .015	SJB	JCB	REF
03	2-8-05	3862	CHANGED TERM. CODE ADDED TYP. TERMINAL	SJB	JCB	REF
04	5-23-05	3957	REMOVED GREY MATERIAL AND PART #PT-059221 BK	SJB	JCB	REF
05	7-07	4681	PART No. WAS PT-059221	SJB	JCB	REF
06	8-07	4722	DILL No. WAS 155-44-04	SJB	JCB	REF



COVER SEAL
FARGO #PT-073428

SEALED DILL BLOX
FARGO #PT-059221

NOTES:

- 1-MAT'L.- NYLON 66, GLASS FILLED
FARGO #CP-N66BLKHR
- 2-TERMINAL CORES ACCEPT 280 FEMALE METRI-PACK.
TERM. CODE 175, ACCEPTS CABLE SEALS 280 SERIES.
(TYPICAL TERMINAL DELPHI #12066214)
- 3-ACCEPTS MINI FUSE RETAINER CLIP, FARGO #PT-059222.
- 4-ACCEPTS FUSE COVER, FARGO #PT-059223.
- 5-ASSEMBLY INCLUDES PART #PT-059221 AND #PT-073428.

FARGO PART NO. PT-100761

FILE # 991108-1	SHEET 1 OF 1	FARGO ASSEMBLY OF PA
UNLESS STATED OTHERWISE, DIMENSIONS ARE IN INCHES, AND TOLERANCE ARE:	THIRD ANGLE PROJECTION	P.O. BOX 550 NORRISTOWN, PA 19404 PHONE: 610-272-6850 FAX: 610-272-6858
.X +/- .030		OUR COMPANY GOALS 1. QUALITY 2. DELIVERY 3. FAIR PRICE 4. GOLDEN RULE
.XX +/- .020	DRAWN DATE JGL 5/94	ELECTRICAL SYSTEMS ASSEMBLY AND DESIGN
.XXX +/- .010	CHECKED DATE	TITLE: SEALED MINI FUSE MODULE ASSEMBLY
FRACTIONAL +/- 1/64	APPROVED DATE	DRAWING NUMBER
ANGULAR +/- 30 MIN	SCALE: FULL	C7301-99-01
THIS DOCUMENT CONTAINS PROPRIETARY INFORMATION AND IS NOT TO BE USED IN ANY WAY DETRIMENTAL TO THE INTEREST OF FARGO ASSEMBLY OF PA, INC.		REVISION 06