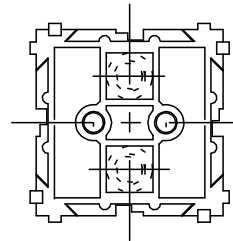
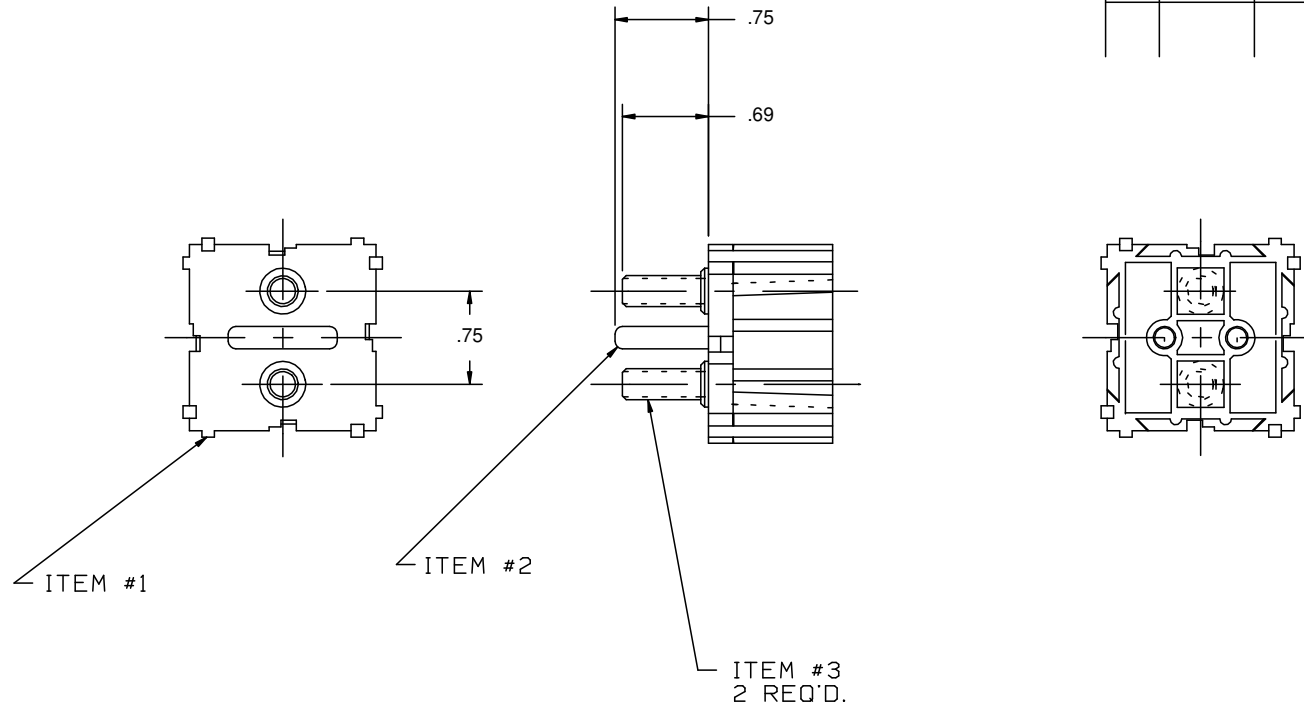


| REV | REVISION DATE | RELEASE NUMBER | DESCRIPTION | DRAWN BY | CHECKED BY | APPROVED BY |
|-----|---------------|----------------|---|----------|------------|-------------|
| 00 | 9-18-99 | 2011 | REDRAWN ON CADD6. ADDED ASSY.#100716 BK REVISED CHART | SJB | JCB | REF |
| 01 | 5-05 | 3957 | REMOVED PART #100716 BK | SJB | JCB | REF |



| | | | |
|--------------|--------------------------|------------------------------|----------------------------|
| 100716 | 059204 | 059206 | 074191 #10-24 TH'D. |
| ASSEMBLY NO. | DILL BLOX NO. ITEM #1 | ISOLATION BARRIER ITEM #2 | STUD BLOCK POST ITEM #3 |

THIS COMPONENT INSPECTION
DRAWING (CID) IS USED FOR
BOTH GRAY AND BLACK PARTS.

| | | | |
|---|----------------------------|--|---|
| FILE # 990518-2 | SHEET 1 OF 1 | FARGO ASSEMBLY OF PA P.O. BOX 550 NORRISTOWN, PA 19404 PHONE: 610-272-6850 FAX: 610-272-6858 | OUR COMPANY GOALS 1. QUALITY 2. DELIVERY 3. FAIR PRICE 4. GOLDEN RULE |
| UNLESS STATED OTHERWISE: DIMENSIONS ARE IN INCHES. AND TOLERANCE ARE: .X +/- | THIRD ANGLE PROJECTION | ELECTRICAL SYSTEMS ASSEMBLY AND DESIGN | |
| .XX +/- .030 | DRAWN DATE SJB 5-18-99 | TITLE: STUD POST DILL BLOX ASSEMBLY | |
| .XXX +/- .015 | CHECKED DATE JCB 5-99 | DRAWING NUMBER C7295-99-04 | REVISION 01 |
| FRACTIONAL +/- 1/64 | APPROVED DATE REF 5-99 | | |
| ANGULAR +/- 30 MIN | SCALE: FULL | | |
| THIS DOCUMENT CONTAINS PROPRIETARY INFORMATION AND IS NOT TO BE USED IN ANY WAY DETRIMENTAL TO THE INTEREST OF FARGO ASSEMBLY OF PA, INC. | | | |