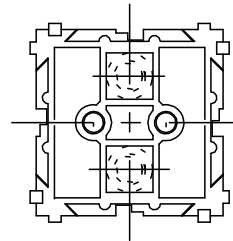
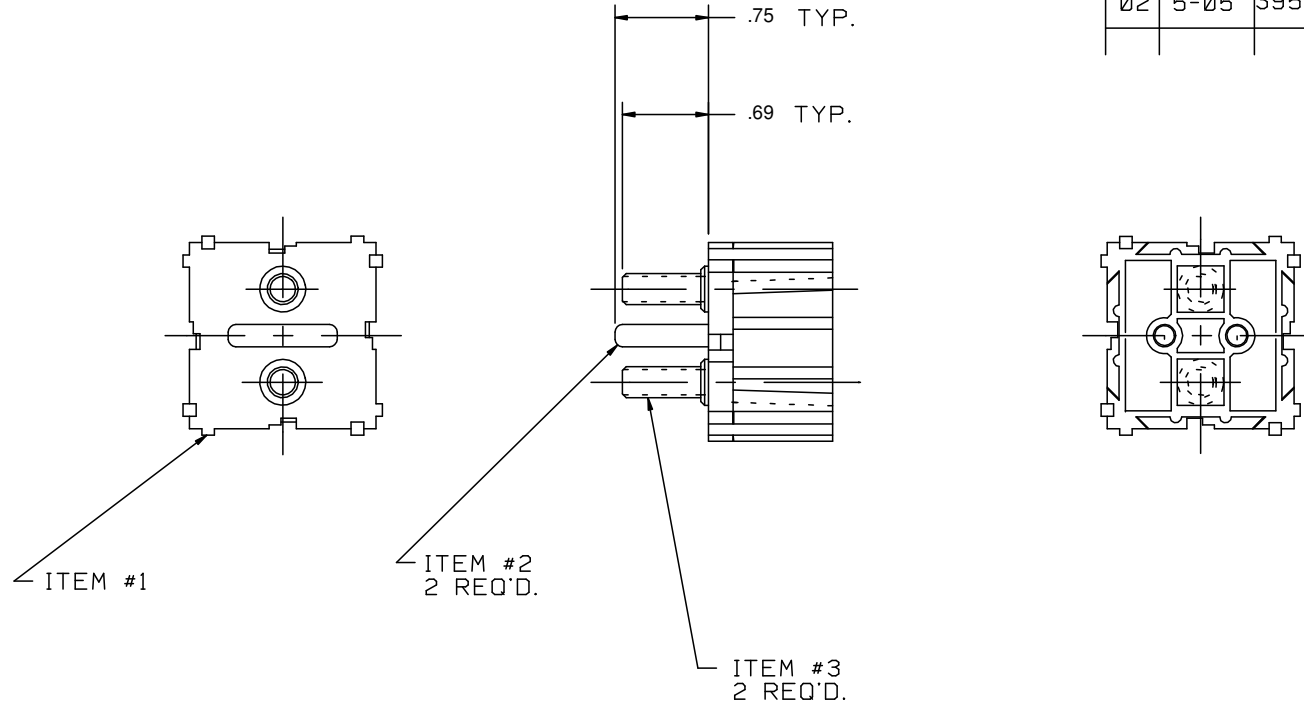


REV	REVISION DATE	RELEASE NUMBER	DESCRIPTION	DRAWN BY	CHECKED BY	APPROVED BY
00	5-17-99	2008	REDRAWN ON CADD6. ADDED ASSY.#100708 BK REVISED CHART	SJB	JCB	REF
02	5-05	3957	REMOVED PART #100708 BK	SJB	JCB	REF



100708	059204	059206	074177 #10-32 TH'D.
ASSEMBLY NO.	DILL BLOX NO. ITEM #1	ISOLATION BARRIER ITEM #2	STUD BLOCK POST ITEM #3

FILE # 990517-1	SHEET 1 OF 1	FARGO ASSEMBLY OF PA	
UNLESS STATED OTHERWISE: DIMENSIONS ARE IN INCHES. AND TOLERANCE ARE:	THIRD ANGLE PROJECTION	P.O. BOX 550 NORRISTOWN, PA 19404 PHONE: 610-272-6850 FAX: 610-272-6858	OUR COMPANY GOALS 1. QUALITY 2. DELIVERY 3. FAIR PRICE 4. GOLDEN RULE
.X +/-		ELECTRICAL SYSTEMS ASSEMBLY AND DESIGN	
.XX +/- .030	DRAWN DATE SJB 5-17-99	TITLE: STUD POST DILL BLOX ASSEMBLY	
.XXX +/- .015	CHECKED DATE JCB 5-99	DRAWING NUMBER C7295-99-02	REVISION 01
FRACTIONAL +/- 1/64	APPROVED DATE REF 5-99		
ANGULAR +/- 30 MIN	SCALE: FULL		
THIS DOCUMENT CONTAINS PROPRIETARY INFORMATION AND IS NOT TO BE USED IN ANY WAY DETRIMENTAL TO THE INTEREST OF FARGO ASSEMBLY OF PA, INC.			